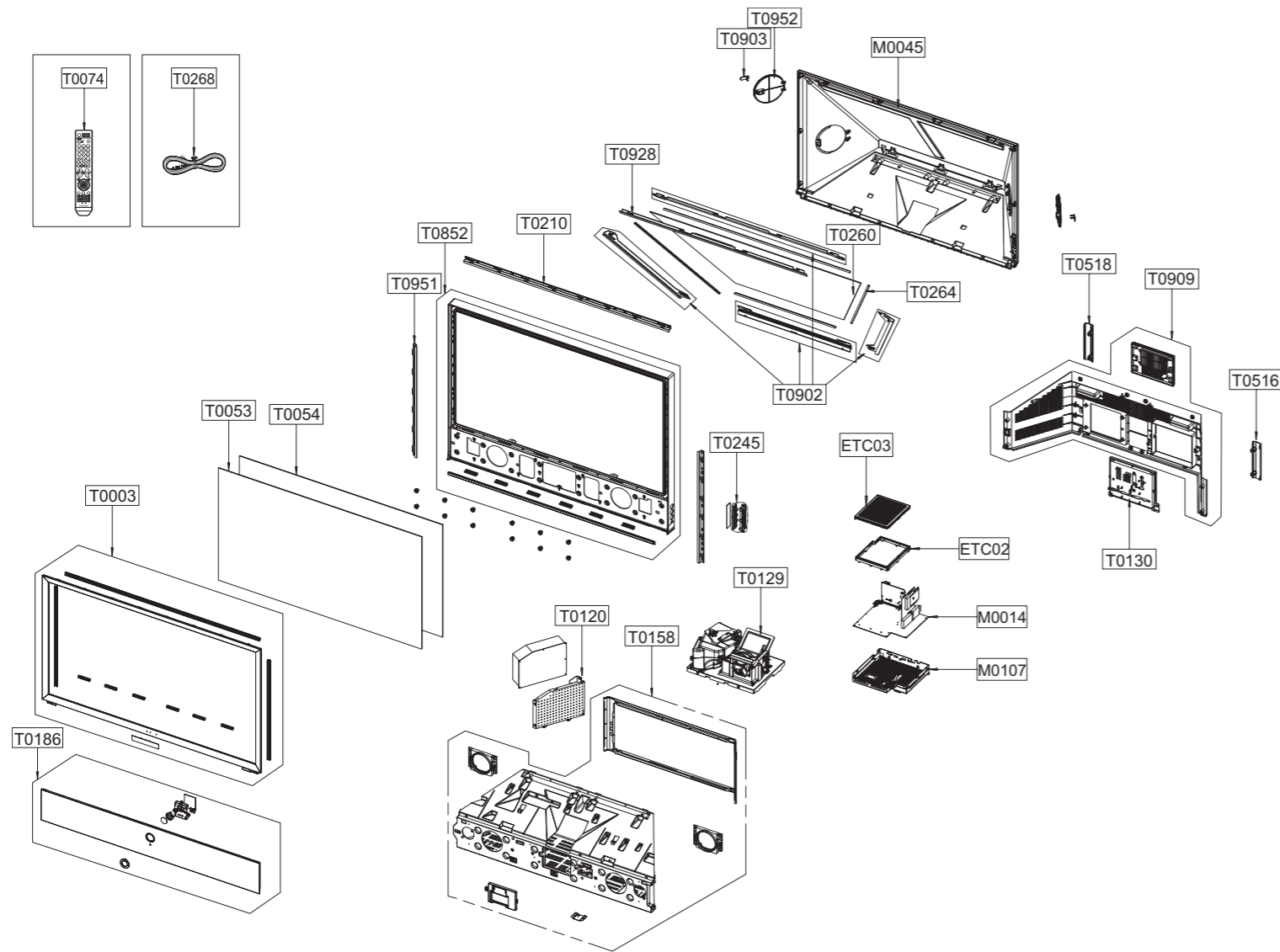


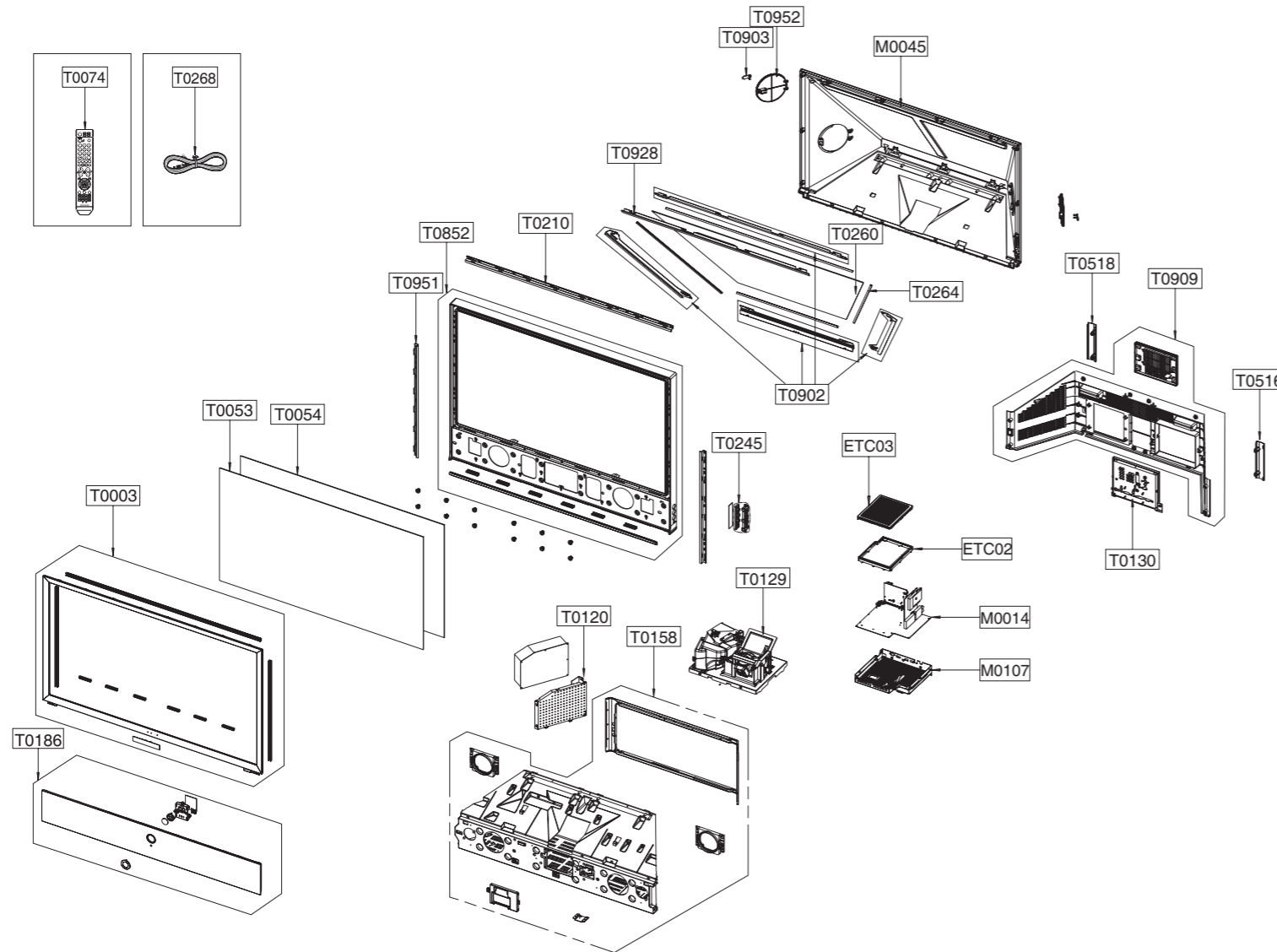
## 4. Exploded View & Part List

### 4-1 PT50DL24X/SMS



Loc.No.	Code No.	Description	Specification	Q'ty	SA/SNA	Remark
ETC02	BP96-01571A	ASSY SHIELD P-BOTTOM	K2,Einstein,SPTE,T0	1	S.N.A	
ETC03	BP63-00645A	SHIELD-CASE, TOP	NOBEL,SPTE,T0.5,TOP	1	S.N.A	
M0014	BP94-02262D	ASSY PCB MAIN	PT50DL24X/SMS,L64D,EINSTEI	1	S.A	
M0045	BP64-00380A	CABINET BACK-TOP	50L3,HIPS,3.5,HB,GRAY	1	S.A	
M0107	BP61-01180A	BRACKET-PCB	NOBEL,SECC,T1.0	1	S.N.A	
T0003	BP96-00893C	ASSY COVER P-FRONT	50L4,SEA(L64C),HIPS,H	1	S.A	
T0053	BP67-00140A	SCREEN FRESNEL	50W,-,NTR,1126*646,1.5T,-	1	S.A	
T0054	BP67-00137A	SCREEN LENTI	50W,-,NTR,1126*646,2.4T,-	1	S.A	
T0074	BP59-00116B	REMOCON	Einstein,TM87B,samsung 28p,54,31	1	S.A	
T0120	BP94-02261E	ASSY PCB POWER	PT50DL24X/SMS,L64D,AKAI (	1	S.A	
T0129	BP96-01633K	ASSY ENGINE P-DLP	50L3(AKAI),K220,Sypro,	1	S.A	
T0130	BP96-01423D	ASSY COVER P-TERMINAL BOARD	Einstein(SEA)	1	S.N.A	
T0158	BP96-00533C	ASSY COVER P-MAIN	L3 ALL,HIPS,V0,GR503	1	S.A	
T0186	BP96-00894C	ASSY COVER P-GRILLE	50L4,AKAI,HIPS HB GR	1	S.N.A	
T0210	BP61-00540A	BRACKET-SCREEN TOP	50L3,SECC,T1.0	1	S.A	
T0245	BP94-02140D	ASSY PCB MISC-KEY CONTROL	HLP5063W,L62B,	1	S.A	
T0260	BP67-00096A	MIRROR	MIRROR FRONT 50",GLASS,1100X580X5	1	S.A	
T0264	BP60-00032L	SPACER-MIRROR	50L3,EVA,490,T1.0,28	4	S.N.A	
T0268	3903-000144	CBF-POWER CORD	DT,US,BP3/Y,U(IEC C13-RA)	1	S.A	
T0516	BP61-00527A	HOLDER-BACK RIGHT	50L3,HIPS HB,GRAY	1	S.A	
T0518	BP61-00526A	HOLDER-BACK LEFT	50L3,HIPS HB,GRAY	1	S.A	
T0852	BP96-00531C	ASSY COVER P-MIDDLE	50L3,HIPS,HB,GR503,S	1	S.A	
T0902	BP96-00932A	ASSY BRACKET P-MIRROR	50L3,SECC	1	S.A	
T0903	BP61-00528A	HOLDER-DUST	50L3,HIPS HB,GRAY	2	S.N.A	
T0909	BP96-00568G	ASSY COVER P-BACK BOT	61L3,HIPS,V0,GR503	1	S.N.A	
T0928	BP61-00537A	BRACKET-MIRROR TOP(T)	50L3,SECC,T 1.6	1	S.N.A	
T0951	BP61-00542A	BRACKET-SCREEN SIDE	50L3,SECC,T1.0	2	S.A	
T0952	BP63-00294B	COVER DUST-ASSY	L6,HIPS,HB,GRAY	2	S.N.A	

Type X PT50DL24X/SMS



Loc.No.	Code No.	Description	Specification	Q'ty	SA/SNA	Remark
ETC02	BP96-01571A	ASSY SHIELD P-BOTTOM	K2,Einstein,SPTE,T0	1	S.N.A	
ETC03	BP63-00645A	SHIELD-CASE, TOP	NOBEL,SPT, T0.5, TOP	1	S.N.A	
M0014	BP94-02262D	ASSY PCB MAIN	PT50DL24X/SMS,L64D,EINSTEI	1	S.A	
M0045	BP64-00380A	CABINET BACK-TOP	50L3,HIPS,3.5,HB,GRAY	1	S.A	
T0003	BP96-00893C	ASSY COVER P-FRONT	50L4,SEA(L64C),HIPS,H	1	S.A	
T0053	BP67-00262A	SCREEN FRESNEL	HURRICANE,50W,1126mm*646m	1	S.A	
T0054	BP67-00261A	SCREEN LENTI	HURRICANE,50W,1126mm*646mm,	1	S.A	
T0074	BP59-00116B	REMOCON	Einstein,TM87B,samsung 28p,54,31	1	S.A	
T0120	BP94-02261E	ASSY PCB POWER	PT50DL24X/SMS,L64D,AKAI (	1	S.A	
T0129	BP96-01633K	ASSY ENGINE P-DLP	50L3(AKAI),K220,Sypro,	1	S.A	
T0130	BP96-01423D	ASSY COVER P-TERMINAL BOARD	Einstein(SEA)	1	S.A	
T0158	BP96-00533C	ASSY COVER P-MAIN	L3 ALL,HIPS,V0,GR503	1	S.A	
T0186	BP96-00894C	ASSY COVER P-GRILLE	50L4,AKAI,HIPS HB GR	1	S.N.A	
T0210	BP61-00540A	BRACKET-SCREEN TOP	50L3,SECC,T1.0	1	S.A	
T0245	BP94-02140D	ASSY PCB MISC-KEY CONTROL	HLP5063W,L62B,	1	S.A	
T0260	BP67-00096A	MIRROR	MIRROR FRONT 50",GLASS,1100X580X5	1	S.A	
T0264	BP60-00032L	SPACER-MIRROR	50L3,EVA,490,T1.0,28	4	S.N.A	
T0268	3903-000144	CBF-POWER CORD	DT,US,BP3/Y,U(IEC C13-RA)	1	S.A	
T0516	BP61-00527A	HOLDER-BACK RIGHT	50L3,HIPS HB,GRAY	1	S.A	
T0518	BP61-00526A	HOLDER-BACK LEFT	50L3,HIPS HB,GRAY	1	S.A	
T0852	BP96-00531C	ASSY COVER P-MIDDLE	50L3,HIPS,HB,GR503,S	1	S.A	
T0902	BP96-00932A	ASSY BRACKET P-MIRROR	50L3,SECC	1	S.A	
T0903	BP61-00528A	HOLDER-DUST	50L3,HIPS HB,GRAY	2	S.N.A	
T0909	BP96-00568G	ASSY COVER P-BACK BOT	61L3,HIPS,V0,GR503	1	S.A	
T0928	BP61-00537A	BRACKET-MIRROR TOP(T)	50L3,SECC,T 1.6	1	S.N.A	
T0951	BP61-00542A	BRACKET-SCREEN SIDE	50L3,SECC,T1.0	2	S.A	
T0952	BP63-00294B	COVER DUST-ASSY	L6,HIPS,HB,GRAY	2	S.N.A	